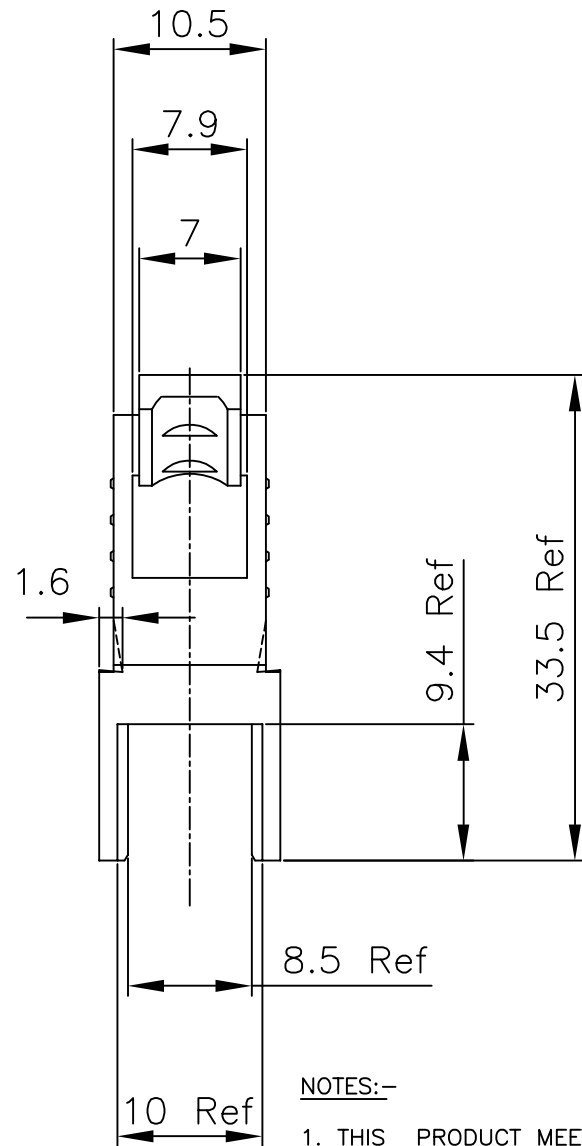
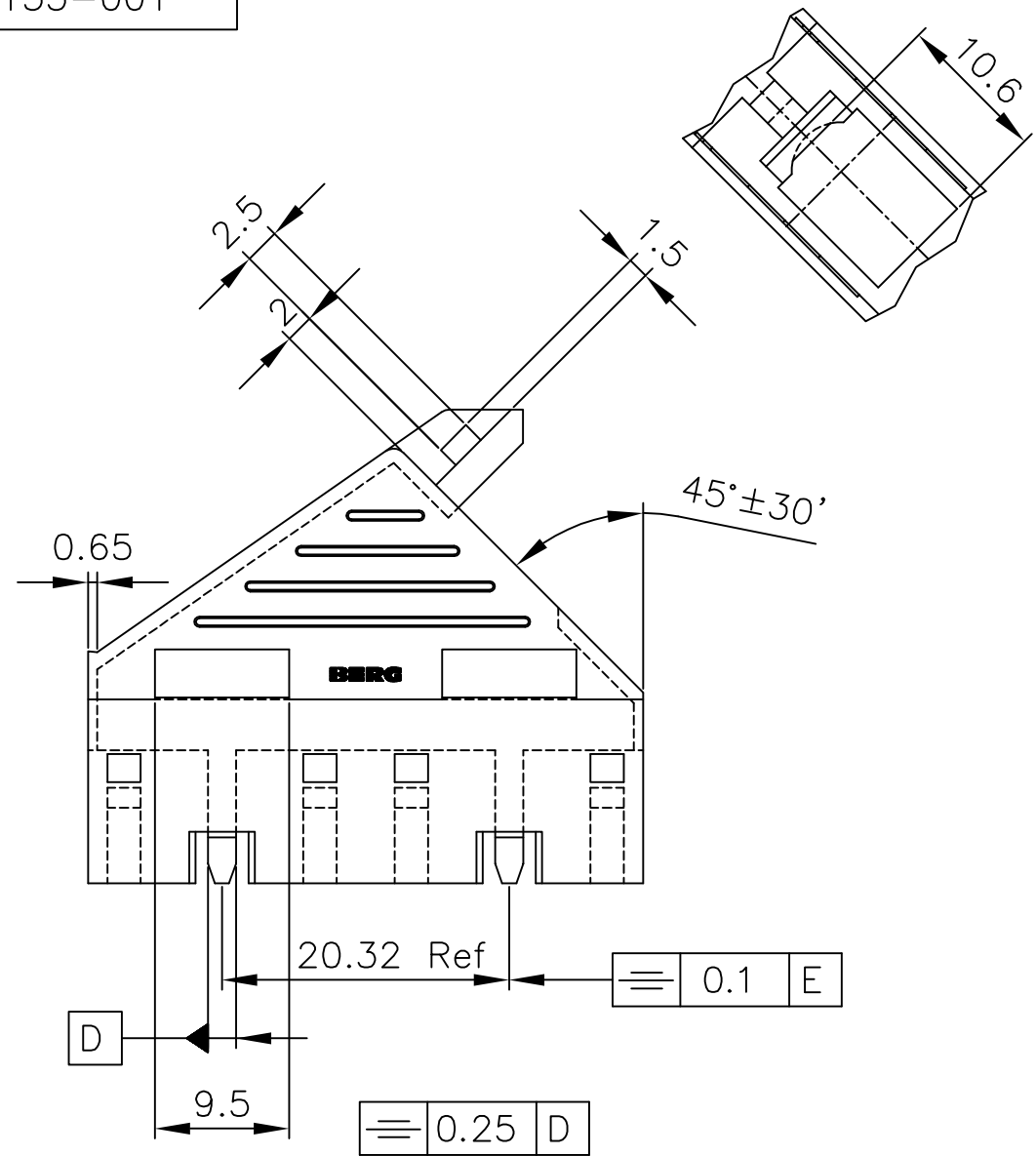
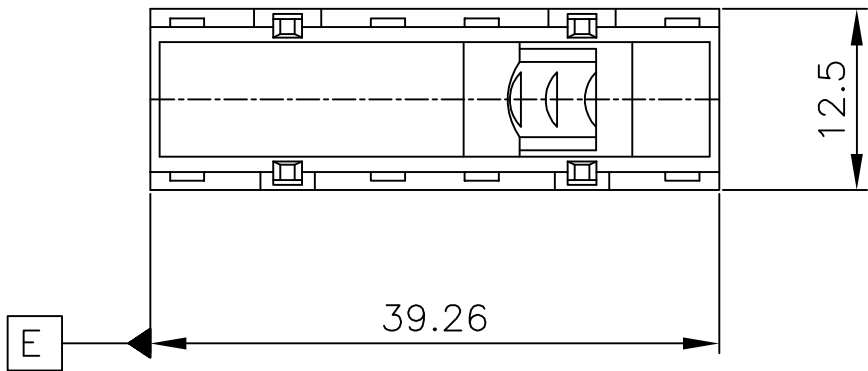


Product number
65135-001



NOTES:-

1. THIS PRODUCT MEETS EUROPEAN UNION DIRECTIVES AND OTHER COUNTRY REGULATIONS AS DESCRIBED IN GS-22-008.
2. LEADFREE OR RoHS DIRECTIVE LABELLING TO BE PROVIDED AS PER GS-14-920.
3. " LF " SUFFIX TO PRODUCT NUMBER FOR RoHS COMPATIBLE/ LEADFREE VERSION.
4. PARTS WITH AND WITHOUT "LF " SUFFIX ARE FORM-FIT AND FUNCTIONALLY IDENTICAL. " LF " SUFFIX PROVIDED FOR PART NUMBER STANDARDISATION OF PART THAT MEETS RoHS REQUIREMENTS.
5. Material: Thermoplastic polyester, 30% Glassfilled .Colour: Black; UL-94-V0



mat'l. code		surface		tolerance		projection		product family		
See note		ISO 1302		ISO 406		ISO 1101		Backpanel		
ltr	ecn no	dr	date	tolerances unless otherwise specified		mm		title		
K	106-0068	MINI	2006-06-01	angles		mm		2x3x7 pos..		
D	H40359	AO	1994-05-30	linear		mm		COVER		
E	H40431	DDB	1994-07-05			scale -				
F	H40762	DDB	1994-11-28	dr	Oppers.A	1994-05-30	dwg no		sheet 1 of 1	size
G	H40711	RVI	1995-02-06	engr	Loman.M	1994-05-30	65135		A3	
H	105-0042	MINI	2005-03-17	chr	Rakhee George	2006-06-01	type		CUSTOMER Drawing	
J	105-0248	MINI	2005-11-22	app	Rakhee George	2006-06-01				
sheet index	revision	K								
	sheet	1								



Copyright FCI